

NPC-8118-03

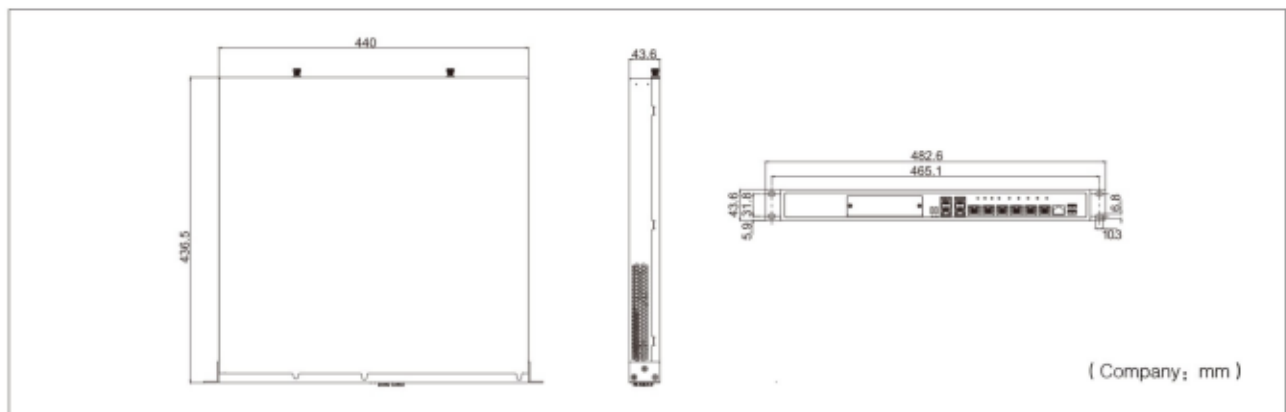
19" 1U Rack mount Network Application Platform



Features:

- ◆ Intel® LGA1155 package Sandy Bridge/Ivy Bridge CPU;
- ◆ Supports two 240Pin standard DDR III 1066/1333MHz DIMM memory slots,
- ◆ 1 x CF card, 1 x IDE DOM, 1 x 3.5" or 2 x 2.5" SATA HDD as storage, supporting RAID;
- ◆ 6 x 1000Mbps electrical port, supporting 2-group network Bypass;

Product size chart



Specifications

System configuration	CPU	Intel® LGA1155 package i3-2120, i5-2500, i7-2600, G850, G540 series CPU
	Chipset	Intel® H61/B65
	Memory	Two 240Pin standard DDR II 1066/1333MHz DIMM memory slots, supporting un-buffered ECC memory or Non-ECC memory, with a maximum memory capacity of 16GB(B65: 32GB)
Storage port	SATA	2 x SATA
	CF	1 x CF
	IDE	1 x IDE For DOM
IO port	USB	4 x USB
	COM	2 x COM
Network chip	Intel® 82583	
LAN port	6 x 10/100/1000Mbps RJ-45 port	
Expansion bus	PCI	0
	PCI-E	1 x PCIE x8
Matching motherboards	NET-1818VD6N series	
Operating environment	Temperature: 0°C~45°C/Humidity: 10%~95% (non-condensing)	
Storage environment	Temperature: -10°C~55°C/Constant damp heat: (40)°C, (30-90)%RH	
Power supply	180W ATX	
Others	/	
Dimensions (W x H x D)	482.6mm x 436.5mm x 43.6mm	

Ordering Information

Part number	Model	Network chipset	Speed	LAN port No	LAN type	Bypass No
0070-002321	ENC-2201S	Intel® 82576	1 Gigabit	2	SFP	0
0070-002311	ENC-2211E	Intel® 82576	1 Gigabit	2	RJ-45	1
0070-002301	ENC-4401S	Intel® 82576	1 Gigabit	4	SFP	0
0070-002331	ENC-2421E	Intel® 82580	1 Gigabit	4	RJ-45	2
0070-002281	ENC-8422ES	Intel® 82576	1 Gigabit	2+2	RJ-45 + SFP	1
0070-002251	ENC-2211S	Intel® 82576	1 Gigabit	2	LC	1
0070-002271	ENC-8811S	Intel® 82599	1 Gigabit	8	SFP	0
0070-002001	ENC-8211S+	Intel® 82576	10 Gigabit	2	SFP	0

Ordering Information

Part Number	Model Number	Description
0020-056751	NPC-8118-03/NET-1818VD6N(B)-01	Standard 1U rack mount chassis NPC-8118-03/NET-1818VD6N(B)-01 mother board /180W ATX single AC power supply
0010-045821	NPC-8118-03/H61/i3-2120/4GB/500G/180W	Standard 1U rack mount chassis NPC-8118-03/NET-1818VD6N(B)-01 mother board /i3-2120 CPU/4GB DDR3 memory /500G 3.5 inch HDD /180W single AC power supply
0010-048681	NPC-8118-03/H61/P-G850/4GB/500G/180W	Standard 1U rack mount chassis NPC-8118-03/NET-1818VD6N(B)-01 mother board /P-G850 CPU/4GB DDR3 memory /500G 3.5 inch HDD /180W single AC power supply