

# COM-1816

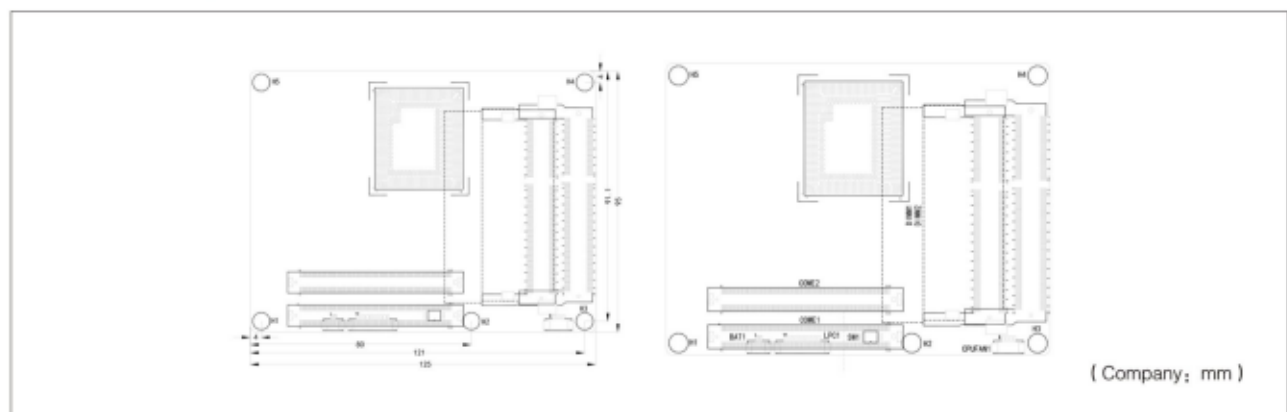
Com Express Single Board



## Features:

- ◆ Onboard Intel I3-4110E 2.6GHz, I5-4400E 2.7GHz, I7-4712HQ 2.3GHz
- ◆ Supports dual-channel DDR3L 1333/1600MHz ECC or non-ECC memory, up to 16GB
- ◆ Supports 8 x USB 2.0, 4 x USB 3.0
- ◆ Supports multiple display ports, including VGA, dual-channel 24BIT LVDS, HDMI, DVI and DP

## Product size chart



## Specifications

System	Processor	Onboard I3-4110E 2.6GHz or I5-4400E 2.7GHz or I7-4712HQ 2.3GHz
	Chipset	Qm87
	Memory	Supports dual-channel DDR3L 1333/1600MHz SO-DIMM, UP to 16GB, supporting ECC or non-ECC function
	Watchdog Timer	255 levels, programmable by second/minute, timeout interrupt or system reset
	Expansion Interface	1x PCI_Ex16, 7 x PCI_Ex1, LPC, SMBUS bus
Storage	4 x SATA 2.0 interface	
I/O Interface	USB	8 x USB2.0 port, 4 x USB 3.0 port
	Serial Port	2 x COM ports
	GPIO	1 x 8bit digital I/O port
	Audio	Supports HDA
Display	Supports multiple display ports, including VGA, dual-channel 24BIT LVDS, HDMI, DVI and DP	
Ethernet	1 x 10/100/1000Mbps LAN port (Intel I217LM), supports Wake-On-LAN;	
Mechanical and Environmental	Dimensions	125(mm) x 95(mm)
	Operating Temperature	0°C~60°C(expandable to -40°C ~85°C); 5%~95%(non-condensing)
	Storage Temperature	-40°C ~85°C, 5%~95% (non-condensing)
Power	Power Supply	Single 12V power supply or 5VSB, 12V power supply

## Ordering Information

Part Number	Model Number	Description
0030-020791	COM-1816CLNA-I34110E	COM Express Basic Type 6 module/onboard Intel I3-4110E 2.6GHzCPU/supports dual-channel 1333/1600MHz DDR3L memory, up to 16GB/QM87 chipset/VGA, LVDS, HDMI display ports/4 x SATA/1 x 1000Mbps LAN port/8 x USB 2.0/4 x USB 3.0/2 x RS 232/1 x HDA/1 x 8bit GPIO/1 x PCI_Ex16/7 x PCI_Ex1
0030-020781	COM-1816CLNA-I54400E	COM Express Basic Type 6 module/onboard Intel I5-4400E 2.7GHzCPU/supports dual-channel 1333/1600MHz DDR3L memory, up to 16GB/QM87 chipset/VGA, LVDS, HDMI display ports/4 x SATA/1 x 1000Mbps LAN port/8 x USB 2.0/4 x USB 3.0/2 x RS 232/1 x HDA/1 x 8bit GPIO/1 x PCI_Ex16/7 x PCI_Ex1
0030-020771	COM-1816CLNA-I74712HQ	COM Express Basic Type 6 module/onboard Intel I7-4712HQ 2.3GHzCPU/supports dual-channel 1333/1600MHz DDR3L memory, up to 16GB/QM87 chipset/VGA, LVDS, HDMI display ports/4 x SATA/1 x 1000Mbps LAN port/8 x USB 2.0/4 x USB 3.0/2 x RS 232/1 x HDA/1 x 8bit GPIO/1 x PCI_Ex16/7 x PCI_Ex1
0030-020671	COM-1816CLNA (QM87-4400-ECC-010)	COM Express Basic Type 6 module/onboard Intel I5-4400E 2.7GHz CPU/supports dual-channel 1333/1600MHz DDR3L memory, up to 16GB/QM87 chipset/VGA, LVDS, HDMI display ports/4 x SATA/1 x 1000Mbps LAN port/8 x USB 2.0/4 x USB 3.0/2 x RS 232/1 x HDA/1 x 8bit GPIO/1 x PCI_Ex16/7 x PCI_Ex1