

SPC-8271

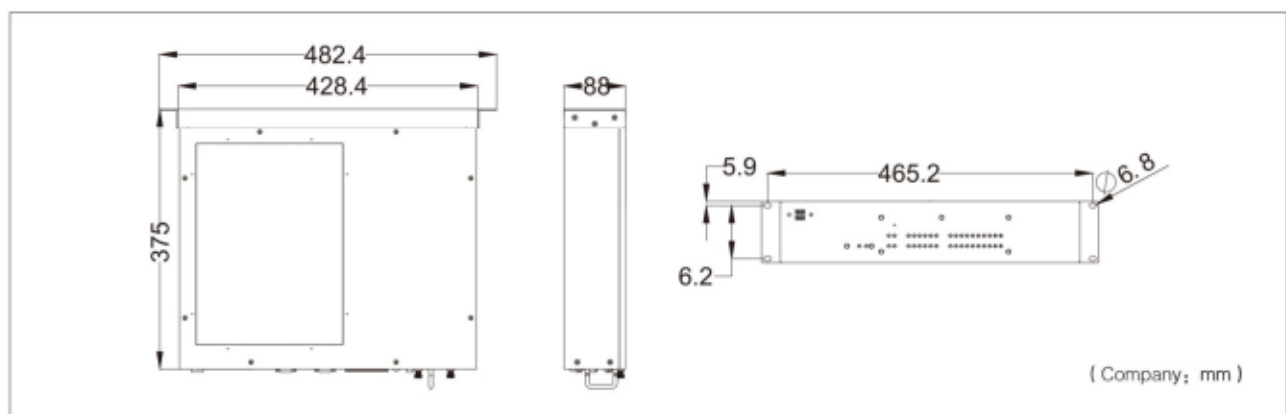
2U Standard rack mount with various COM Ports specialized PC



Features:

- ◆ Intel® Core™ i7 620M 2.66Ghz/i5 520M 2.4Ghz/i3 330M 2.1Ghz CPU
- ◆ DDR II memory, supporting up to 4GB memory
- ◆ Supports 6 x RJ45 10/100/1000 LAN port
- ◆ Supports 12 x COM port, RS232/485/422 module
- ◆ optional, with photoelectric isolation design, and 2.5KV isolation protection
- ◆ Supports hot swap 110/220VACDC 100W dual power supply redundant
- ◆ Passed Class2 Electricity Certificate of China Electric Power Research Institute, and can meet the requirement of electric power automation for harsh environment application

Product size chart



Specifications

System	Processor	Intel® Core™ i7 620M 2.66Ghz/i5 520M 2.4Ghz/i3 330M 2.1 Ghz CPU
	Chipset	Intel® Qm57
	Memory	2GB DDR II memory as standard configuration, supporting up to 4GB
Display	VGA	1 x VGA (maximum resolution: 2048 x 1536)
	LCM screen	1 x 3.5" LCM display module, with touch screen (resolution: 320 x 240)
I/O Interface	LAN	6 x 10/100/1000Mbps LAN port
	COM port	12 x COM port, RS232/485/422 optional, with 2.5KV isolation. Four of them are DB9 ports, the other eight are terminal block connectors
	USB	6 x USB2.0 port (two at front)
	PS/2	1 x PS/2
	Audio	Supports one group of Audio ports (pin header)
Storage	HDD	2 x 2.5" HDD bay
	CF	1 x CF card slot
Expansion bus	1 x PCI-104 expansion bus	
Operating Temperature	-10°C ~ 55°C; (CF card, DOM) 0°C ~ 40°C (mechanical HDD) 5%~90% 40°C (non-condensing)	
Storage Temperature	-25°C ~ 70°C; 5% ~ 90% 40°C (non-condensing)	
Power	AD/DC 110V~220V 100W Single power or redundant power (optional)	
Dimensions (W x H x D)	428.4mm x 88.6mm x 376.6mm	

Ordering Information

Part Number	Model Number	Description
0020-059601	SPC-8271-01	2U 19Inch rackmount seal multi-COM server /i5-520M/2G memory/12* segregate COM/6 x 1000Mnetwork port /USB2.0 x 6/PS/2 x 1/VGA x 1/AC、DC110V~220V in-put 100W single power supply / No storage /accept customer LOGO
0010-083601	SPC-8271-02	2U 19Inch rackmount seal multi-COM server / i5-520M/4G memory/4G CF card/ 12* segregate COM/6 x 1000Mnetwork port/USB2.0 x 6/PS/2 x 1/VGA x 1/ AC、DC110V~220V in-put 100W redundant power supply /Dying Gasp/LCM module /accept customer LOGO