

PPC-1781

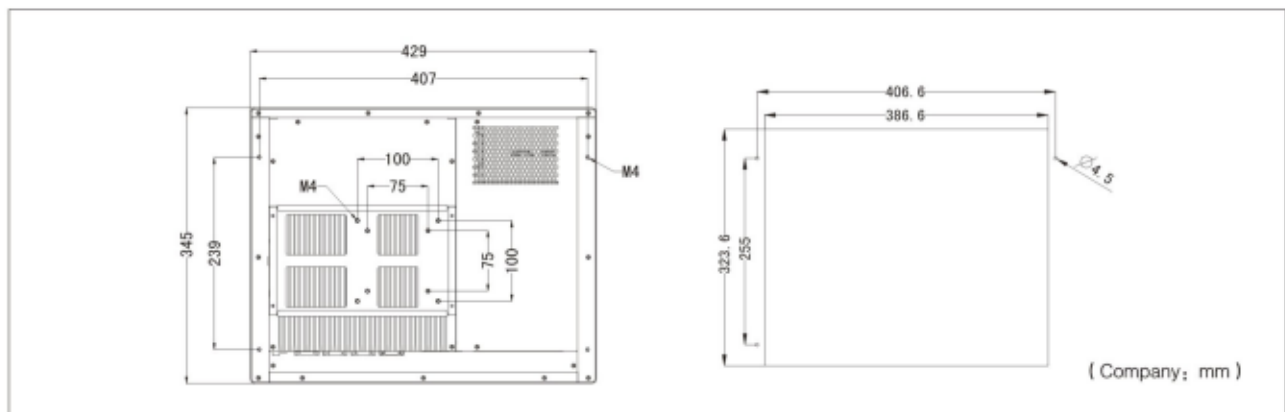
17" Multifunction Industrial Panel PC



Features:

- ◆ Intel 4th-generation high-performance CPU
- ◆ 2G DDR3 memory as standard configuration (upgradable to 4G, 8G, 16G)
- ◆ Supports 2 x 2.5" notebook HDD, drawable design, which facilitates replacement
- ◆ Multiple expansion slots: 2 x PCI, 1 x PCI/PCIe, 2 x PCIe expansion slot
- ◆ Dual Mini-PCIe slots, supporting Wifi and 3G function
- ◆ IP65 protection grade for front panel
- ◆ Supports VESA bracket, embedded panel mounting

Product size chart



Specifications

Display	Screen Size	17"
	Resolution	1280 * 1024
	Brightness	400cd/m2
	Contrast Ratio	1000:1
Touch Screen	5-wire resistive touch screen (optional no touch screen)	
System	Processor	Intel® Core™ i3-4330TE Processor (4M Cache, 2.40 GHz) or Intel® Pentium® Processor G3320TE (3M Cache, 2.30 GHz) or Intel® Core™ i5-4570TE Processor (4M Cache, up to 3.30 GHz)
	Chipset	Intel® H81
	Memory	2G DDR3 memory as standard configuration (upgradable to 4G, 8G, 16G)
I/O Interface	LAN	2 x 10/100/1000Mbps LAN port
	COM Port	6 x COM port (COM1~COM6 support RS-232/RS-422/RS-485 mode selection, RS-232 by default. Among them, RS485 COM port supports hardware automatic data flow control)
	USB	2 x USB2.0 and 2 x USB3.0 (one built-in USB2.0, used to connect USB dongle or other device)
	PS/2	1 x KB port
	VGA	1 x VGA
	Others	1 x parallel port, 8-channel GPIO, 1 x Audio
Storage	HDD	2 x 2.5" SATA SSD or HDD (expandable up to 2T)
	Optical drive	optional
Expansion Options	2 x PCI or PCIE expansion slot 2 x min-pcie (supports WIFI and 3G function), 1 x sim card slot	
Operating Temperature	-5°C ~ 55°C (SSD); 0°C ~ 45°C (mechanical hard disk) Humidity: 5%~95% (non-condensing)	
Storage Temperature	Temperature: -30°C ~ 70°C; humidity: 5%~95% (non-condensing)	
Front Panel Material	High-strength Al-alloy, IP65 protection grade	

Industrial Computers & Embedded boards

Mounting Method	Embedded panel, VESA standard supporting arm
Power Supply	AC/DC 96–240V, or DC9–30V input
Operation System	WINXP, WIN7, WIN7E, WIN8, LINUX (2.6 kernel)
Dimensions(W x H x D)	429mm x 345mm x 110mm

Ordering Information

Part Number	Model Number	Description
0010-084951	PPC-1781-0302/i3-4330TE 2.4G/2G Memory/500G HDD	17" low power high performance panel PC with expansion/Intel® Core™ i3-4330TE platform/CPU 2.4G clock frequency/2G DDR3 memory/500G HDD/ 2 x PCI/6 x COM port/4 x USB port/2 x 1000Mbps LAN port/1 x VGA port/ 1 x PS/2 /1 x GPIO/1 x LPT/1 x Audio/24V DC power supply/power adapter/Al-alloy front panel/touch screen
0010-084961	PPC-1781-0303/i3-4330TE 2.4G/ 4G memory/500G/optical driver	17" low power high performance panel PC with expansion/Intel® Core™ i3-4330TE platform/CPU 2.4G clock frequency/2G DDR3 memory/500G HDD/Optical driver/PCI+PCIE/6 x COM port/4 x USB port/2 x 1000Mbps LAN port/1 x VGA port/ 1 x PS/2 /1 x GPIO/1 x LPT/1 x Audio/110V~220V AC.DC power supply/With adapter cable/Al-alloy front panel/touch screen
0010-086591	PPC-1781-0306/i3-4330TE /4G/128GSSD/wifi	17" low power high performance panel PC with expansion/Intel® Core™ i3-4330TE platform/CPU 2.4G /4G DDR3 memory /128G SSD/optical drive/PCI+PCIE/6 x com port/4 x USB port /2 x 1000M Lan port / 1 x VGA/ PS/2 x 1/GPIO x 1 /LPT x 1/ /Audio x 1/110V~220V AC.DC power supply/with adapter cable/Al-alloy front panel/touch screen/wifi
0010-084971	PPC-1781-0401/G3320TE 2.3G/ 2G/64G SSD/6 x com port	17" low power high performance panel PC with expansion/Intel® Pentium® Processor G3320TE platform/CPU 2.3G/2G DDR3 memory /64G SSD/ PCI x 2/ 6 x COM port/4 x USB port/2 x 1000Mbps LAN port/ VGA x 1/ PS/2 x 1/GPIO x 1/LPT x 1//Audio x 1/AC.DC110V~220V/With adapter cable/Al-alloy front panel/touch screen
0010-085981	PPC-1781-0402/G3320TE 2.3G /2G/500G/6 x com port/adapter	17" low power high performance panel PC with expansion/Intel® Pentium® Processor G3320TE platform/CPU 2.3G/2G DDR3 memory/500G HDD/ PCI x 1/PCIE x 1/ 6 x COM port/4 x USB port/2 x 1000Mbps LAN port / VGA x 1/ PS/2 x 1/GPIO x 1 /LPT x 1/ /Audio x 1/DC24/adapter/Al-alloy front panel/touch screen
0010-085021	PPC-1781-0501/i5-4570TE 3.3G/ 4G Memory/500G	17" low power high performance panel PC with expansion/Intel® Core™ i5-4570TE platform/CPU 3.3G clock frequency/4G DDR3 memory/500G HDD/PCI+PCIE/6 x COM port/4 x USB port/2 x 1000Mbps LAN port/1 x VGA port/ 1 x PS/2 /1 x GPIO/1 x LPT/1 x Audio/110V~220V AC.DC power supply/With adapter cable/Al-alloy front panel/touch screen