

# JNB-1502

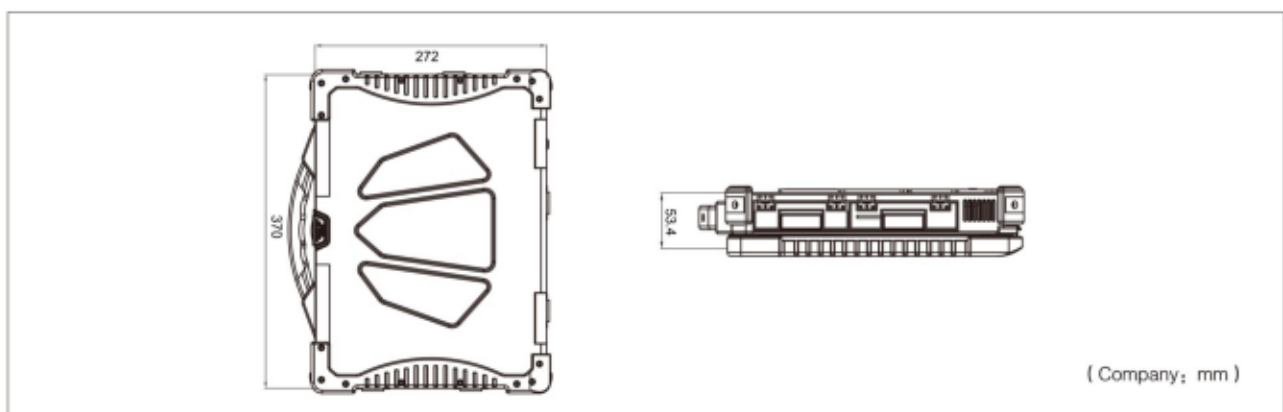
Fully Rugged Notebook with i7 Intel® processor



## Features:

- ◆ 4th-generation Intel® Core™ i7 processor
- ◆ IP65 protection grade for the whole PC
- ◆ Supports High-performance discrete display card
- ◆ Onboard 4G memory, supporting up to 12G
- ◆ Reliable safety function (finger print identification, TCM, etc.)
- ◆ Meets GJB150A, U.S. military standard MIL-STD-810G test requirements
- ◆ Passed GJB-151A land force ground five items of EMC test

## Product size chart



## Specifications

CPU	Intel® Core™ i7-4712HQ 2.3GHz(Max 3.3GHz) Quad-core 8 lines
Chipset	Intel® Qm87
Memory	Onboard 4GB DDR3 memory, expandable up to 12GB
Display screen	15.6" sunlight-readable LCD screen, resolution 1920 x 1080
Display card	Support Intel HD Graphics 4600 integrated display technology/ expandable to High-performance discrete display card
Storage	2.5" SATA interface laptop HDD, optional encryption/HDD self-destruction, 1 x MSATA port expandable to the second storage HDD
I/O port	1 x VGA port 1 x HDMI port 2 x RJ-45 LAN port 2 x USB3.0 port 2 x USB2.0 port 2 x serial port(support RS-232/422/485 switched by BIOS, default RS-232) 1 x Line Out audio output port 1 x Mic-In audio input port 1 x DVD optical drive
Expansion card slot	1 x Smart Card slot/1 x Express Card slot/1 x SD Card reader slot/1 x SIM Card slot
Multi-function expansion slot	The optical drive bay can be expanded to one of the following options: Expandable to 2 x serial port; An optical drive or a second HDD module; Expandable to PCI-E x1 device; Expandable to USB port or USB function device; Support expansion port on the bottom, docking station can be attached
Keyboard	Special plastic keyboard for laptop computer, with left/right-key touch pad mouse, optional silicon keyboard (with blue backlight)
Audio and video	High-definition audio processor 2 x built-in speaker 1 x built-in microphone
Communication	WLAN: 802.11a/g/n (or 4G) LAN: 10/100/1000M PAN: Bluetooth 2.0 Class I + EDR WWAN: supports 4G (or WLAN) Satellite positioning: GPS or BeiDou satellite navigation (optional)
Safety	TCM1.2 security chip, optional TPM1.2 Administrator password, login password Smart card reader Finger print identification Anti-theft pin hole
Power adapter	AC power adapter : input AC110 ~ 240V, output DC19V@90W DC power adapter: input DC9 ~ 32V, output DC19V ( optional )
Battery	8400mAh intelligent Li-ion battery, expandable to 2nd Battery Pack( 6000mAh)
Heat dissipation	Waterproof Fan design, heat dissipation by sealed metal chassis
Dimensions	53.4mm(H) × 370mm(W) × 272mm(D)
Weight	About 6Kg

## Reliability Parameters

Environment parameters	Operating temperature: -20~55°C (battery power supply); -30~60°C (power supply by adapter) Storage temperature: -40~70°C Humidity: 5%~95%, non-condensing
Shock	Meets GJB367A-2001/GJB322A-98/GJB150A/MIL-STD-810G Power-on status: Half Sine wave, 15G, 11ms Power-off status: Half Sine wave, 50G, 11ms
Vibration	Meets GJB367A-2001/GJB322A-98 sine vibration test Power-on status: X/Y/Z three-axis, 5Hz-200Hz/1.0g (optional 1.5g) Power-off status: X/Y/Z three-axis, frequency 10 - 23Hz, acceleration 1.0G Frequency 23 - 52Hz, amplitude 0.44mm Frequency 52 - 2000Hz, acceleration 5G Meets GJB150A/MIL-STD-810G random vibration test Power-on status: X/Y/Z three-axis, 5-500Hz, 1.90 Grms Power-off status: X/Y/Z three-axis, 20-2000Hz, 7.70 Grms
Drop	Meets GJB367A-2001/GJB322A-98/GJB150A/MIL-STD-810G 4-feet (121cm) free fall
Protection grade	Meets GJB367A-2001/GJB322A-98/GJB150A/MIL-STD-810G IP65
EMC	Meets GJB-151A land force five-item/MIL-STD-461F test requirements

## Ordering Information

Part Number	Model Number	Description
	JNB-1502-1	Intel Core i7-4712HQ 2.3GHz/4GB memory/500G HDD/15.6 sunlight readable screen / drive/ No cable / Bluetooth / fingerprint identification /8400mAh mother battery / plastic keyboard / military adaptor /OS
	JNB-1502-2	Intel Core i7-4712HQ 2.3GHz/4GB memory/500G HDD/15.6 sunlight readable screen / discrete display card / drive/ No cable / Bluetooth / fingerprint identification /8400mAh mother battery /6000mAH 2nd Battery Pack / plastic keyboard / military adaptor /OS